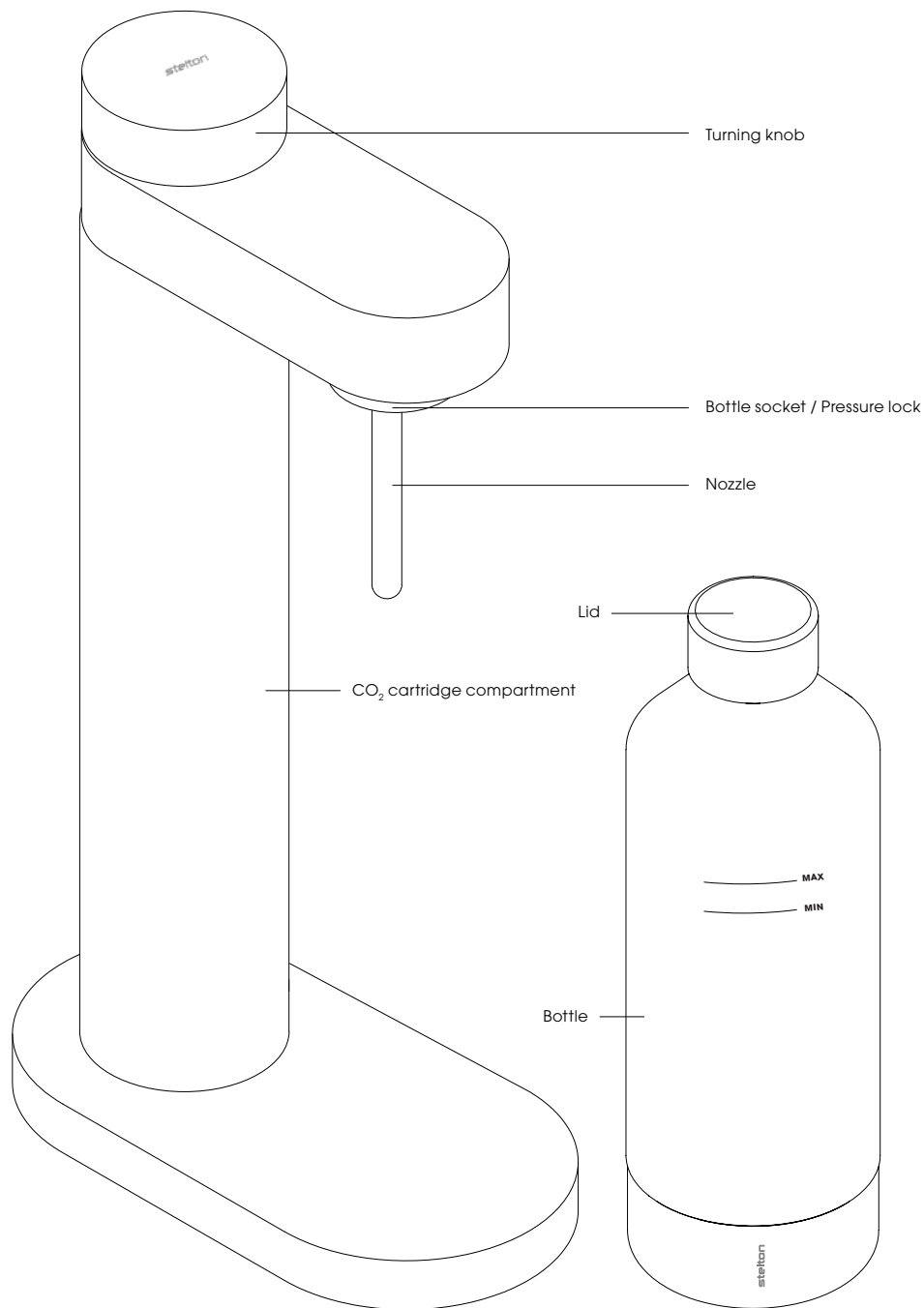




## Brus

carbonator | kulsyre-maskine | Wassersprudler

**stelton**

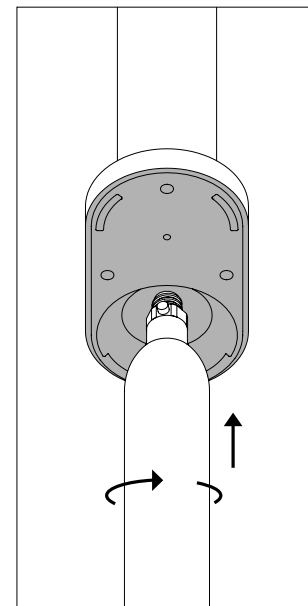


Before using your Brus carbonator for the first time, please read the user and safety instructions in this manual.

## User instructions

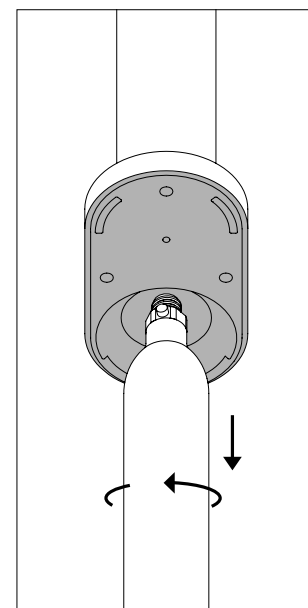
### Installation of CO<sub>2</sub> cartridge

1. Remove the seal and protective plug from the CO<sub>2</sub> cartridge.
2. Carefully lift your carbonator by the CO<sub>2</sub> cartridge compartment and turn it upside down so the bottom of the carbonator is visible.
3. Carefully insert the CO<sub>2</sub> cartridge through the hole at the bottom. Do not drop the cartridge into the hole as this may cause damage to the internal components.
4. Once the CO<sub>2</sub> cartridge has been inserted into the compartment, rotate the cartridge clockwise to fasten it. Do this carefully - no force should be applied to secure the bottle.
5. Now place your carbonator back on the table and it is ready to use.

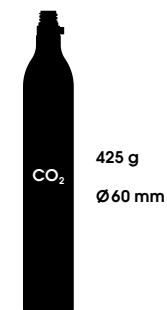


### CO<sub>2</sub> cartridge replacement

1. Carefully lift your carbonator by the CO<sub>2</sub> cartridge compartment and turn it upside down so the bottom of the carbonator is visible.
2. Turn the CO<sub>2</sub> cartridge counterclockwise to release it.
3. Once released, pull out the empty CO<sub>2</sub> cartridge and follow the "Installation of CO<sub>2</sub> cartridge" instructions to insert a new cartridge.



**IMPORTANT:** A CO<sub>2</sub> cartridge is not included in the giftbox. These can be purchased in leading supermarkets and department stores.



## Amount of carbonation

How much carbonation you add to the water is a matter of taste. With the Brus carbonator, you can easily adjust the amount of carbonation to suit you, but be aware that water's absorption of carbon dioxide depends on several factors.

- If the water is too warm, it will make it harder for the CO<sub>2</sub> to bind to the water. For best results, we therefore recommend that the Brus carbonator be used with water from the refrigerator (5°C / 41°F).
- As the carbonation cartridge begins to run out, less CO<sub>2</sub> will gradually be added to the water. You will therefore find that the carbonation turn button must be turned for a little longer than usual to achieve the same amount of carbonation in your water.
- Use the manual pressure release before removing the bottle. A manual pressure release ensures that unnecessary carbonation does not leave the machine's system, and the CO<sub>2</sub> cartridge will therefore last longer.

## Carbonation levels

Level 1: Turn for 3–4 seconds for gently sparkling water (recommended).

Level 2: Turn for 5–6 seconds for moderately sparkling water.

Level 3: Turn until you hear a hissing sound for intensely sparkling water.

**IMPORTANT:** The carbonation levels are based on the CO<sub>2</sub> cartridge being filled to an average level. Results will vary with a brand new cartridge or a cartridge that is close to empty.

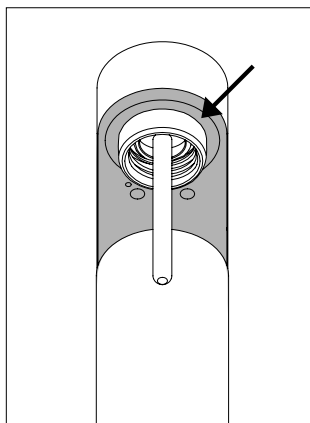
## Adding flavour

You can add flavour to your sparkling water using juice and syrups. There are various brands of syrup specifically developed for use with carbonators. These can be purchased in leading supermarkets and department stores. The amount of concentrate you use will depend on the brand, so always follow the manufacturer's instructions.

You can add flavoured syrup directly into the Brus bottle or use your favourite Stelton glass or pitcher to mix syrup and carbonated water.

Always wash the bottle thoroughly after it has had sugary water in it, so that the sugar does not bubble up into the machine the next time you use it.

## Overflow of water



### What happens if the water exceeds the MAX line?

When CO<sub>2</sub> is released, the water in the bottle starts to rise. It is therefore important to leave enough space at the top of the bottle so that water does not flow into the machine and out of the pressure relief valves.

Do not fill water above the MAX line or below the MIN line on the Brus bottle. Exceeding the MAX line will cause water to flow through the pressure relief valves when carbonation is added to the water. Although not dangerous or harmful to your carbonator, water will leak through the top and into the bottom.

Always keep the water level between the MIN and MAX lines.

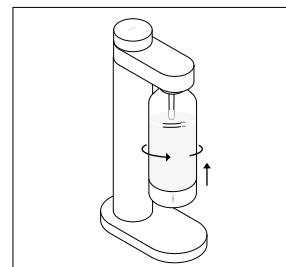


### Step 1 – Fill the bottle with water

Fill the bottle with cold, clean water up to the fill line. If the MAX line is exceeded, water will come out of the pressure relief valve during use.

The recommended water temperature is 5°C (41°F).

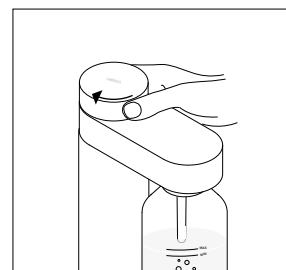
The water temperature must not exceed 40°C (104°F).



### Step 2 – Attach the filled bottle

Place the bottle with the nozzle inserted into the water and then turn the bottle counter-clockwise to secure it.

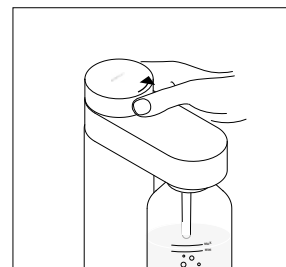
Make sure that the bottle is firmly secured before use and that the nozzle is submerged in water.



### Step 3 – Addition of carbonation

Turn the carbonation knob clockwise for 3–4 seconds for gently sparkling water. If you want intensely sparkling water, you can hold the turning knob to the left until you hear a hissing sound from the pressure relief valve. The right amount of carbonation is a matter of taste. Therefore, experiment with your Brus carbonator until you find the amount of carbonation that suits you.

**WARNING: NEVER use the carbonator for anything other than clean drinking water. Sugary drinks and drinks with other additives can potentially cause the pressure relief valve to become stuck and thus make the carbonator dangerous to use.**

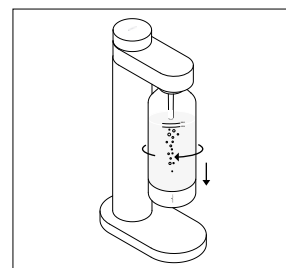


### Step 4 – Release excess pressure

Turn the carbonation knob counterclockwise.

The excess pressure in the bottle will be released with a hissing sound.

**IMPORTANT:** If the excess pressure is not released manually, it will be released when you detach the bottle from the machine.



### Step 5 – Release the bottle

Turn your Brus bottle clockwise to release it from the bottle attachment.

Enjoy your water as it is or add flavour with fruit or flavoured syrup.

## Warranty

The warranty for your machine is only valid if it has been treated in accordance with the recommended maintenance and safety instructions.

### Safety instructions for the bottle

- Do not fill your Brus bottles with anything other than drinking water. If carbonation is added to liquids other than water, there is a high risk of the liquid entering the machine, and additives such as sugar may cause the pressure relief valves to stick. If the relief valves stop working, the machine will not be safe to use.
- Do not fill the Brus bottle above the MAX line. If you do, water will enter your machine and spray out through the relief valves. This is not dangerous or harmful to the carbonator, but the machine and the table will get wet and need to be cleaned.
- Not dishwasher safe. The Brus bottles can only withstand water temperatures of up to 40°C (104°F), and must therefore be washed by hand.
- Do not freeze the Brus bottles.
- Do not use Brus bottles that have exceeded their use-by date as this poses a safety risk. A Brus bottle must be replaced two years after the date it is first used.
- Do not use discoloured, deformed or cracked water bottles as this poses a safety risk.
- Rinse the Brus bottle thoroughly before each use to ensure there is no bacteria in the bottle.
- It is not recommended to drink directly from the bottle, as this can contaminate the bottle and the machine with bacteria.
- Never use other brands of bottle for your Brus carbonator.

### Bottle symbols



#### Approved for food

This symbol shows that the materials used for the Brus bottle are safe to use for food contact.



#### Disposal

The Brus bottle is made from PET (1) with a steel (40) shell at the bottom. The lid of the bottle is made from PP (5) with a silicone (7) gasket and steel (40) shell.



#### Instruction manual

Read the instruction manual for proper use of the Brus bottle, including related safety instructions. The year indicates when the bottle was produced. All bottles must be replaced 2 years after the date of first use.



#### Not dishwasher safe

The Brus bottle must never be placed in the dishwasher, as this can affect its functionality and thus pose a safety risk.



#### Temperature range

The Brus bottle can withstand a minimum temperature of 1°C (34°F) and a maximum temperature of 40°C (104°F). Exceeding these temperatures will damage the bottle and thus pose a safety risk.

### Safety instructions for the carbonator

- Do not transport your Brus carbonator with the CO<sub>2</sub> cartridge attached in the CO<sub>2</sub> cartridge compartment. Always ensure that the cartridge has been released from the machine before transport to avoid damaging internal components.
- Keep your Brus carbonator out of the reach of children.
- Do not place your Brus carbonator close to a heat source. The pressure in the CO<sub>2</sub> cartridge depends on ambient temperatures, so keep it away from hotplates, radiators, direct sunlight, etc.
- Use only CO<sub>2</sub> cartridge approved for carbonators. Other cartridges may affect the machine's functionality or pose a safety risk.
- IMPORTANT:** Before adding carbonation to your Brus bottle, make sure your CO<sub>2</sub> cartridge has been attached correctly in the compartment. It can loosen over time, making it less effective.
- Only use Brus bottles for your Brus carbonator. Other bottles may affect the functionality of the machine or pose a safety risk.
- Do not turn the carbonation button to release CO<sub>2</sub> without first attaching a filled Brus bottle.
- Never inject carbonation into an empty bottle. This is very dangerous. Always fill with water to at least the MIN line.
- Always use your Brus carbonator in an upright position.
- Never fill a Brus bottle above the MAX line or below the MIN line.
- Never attempt to use your Brus carbonator when it is broken or damaged, as this is extremely dangerous. If your carbonator breaks or malfunctions, do not attempt to repair or open the machine yourself. Contact the place of purchase for guidance.
- Do not place the CO<sub>2</sub> cartridge close to a heat source. The pressure in the cartridge depends on ambient temperatures, so keep it away from hotplates, radiators, direct sunlight, etc.
- The CO<sub>2</sub> cartridge must only be used at room temperature. After transport and frequent use, the cartridge can become cold and less effective. Avoid touching it if it is covered with ice.
- Keep the CO<sub>2</sub> cartridge out of the reach of children.
- Use only CO<sub>2</sub> cartridges approved for carbonators. Other bottles may affect the functionality of the machine or pose a safety risk.
- The design or shape of the CO<sub>2</sub> cartridge cannot be manipulated or otherwise changed.
- If the CO<sub>2</sub> cartridge breaks or is damaged, it cannot be used with your Brus carbonator. Contact the place of purchase for a replacement.
- IMPORTANT:** Before carbonating, make sure your CO<sub>2</sub> cartridge has been attached correctly in the compartment. It can loosen over time, making it less effective.

### Safety instructions for the CO<sub>2</sub> cartridge

- Do not transport the CO<sub>2</sub> cartridge while it is attached to your Brus carbonator. Keep the cartridge and your machine separate during transport.

## Complaint

Right to complain according to applicable legislation. Complaints must be accompanied by a machine-stamped receipt/purchase receipt including the date of purchase. In the event of a complaint, the carbonator must be returned to the place of purchase.

#### Stelton A/S

Christianshavns Kanal 4  
DK-1406 Copenhagen  
Denmark  
www.stelton.dk

## Disposal of the carbonator



When disposing of the Brus carbonator or Brus bottles, applicable national and international legislation states that the machine must be disposed of through a municipal recycling facility.

## Technical data

Brus carbonator  
Carbonator with bottle included  
Carbonation cartridge not included  
Bottle volume (MAX indicator): 870 ml.  
Operating pressure: 7 – 9 Pa  
Max. water temperature: 40°C (104°F)  
Min. water temperature: 1°C (34°F)

We reserve the right to make ongoing changes and improvements to the instruction manual.

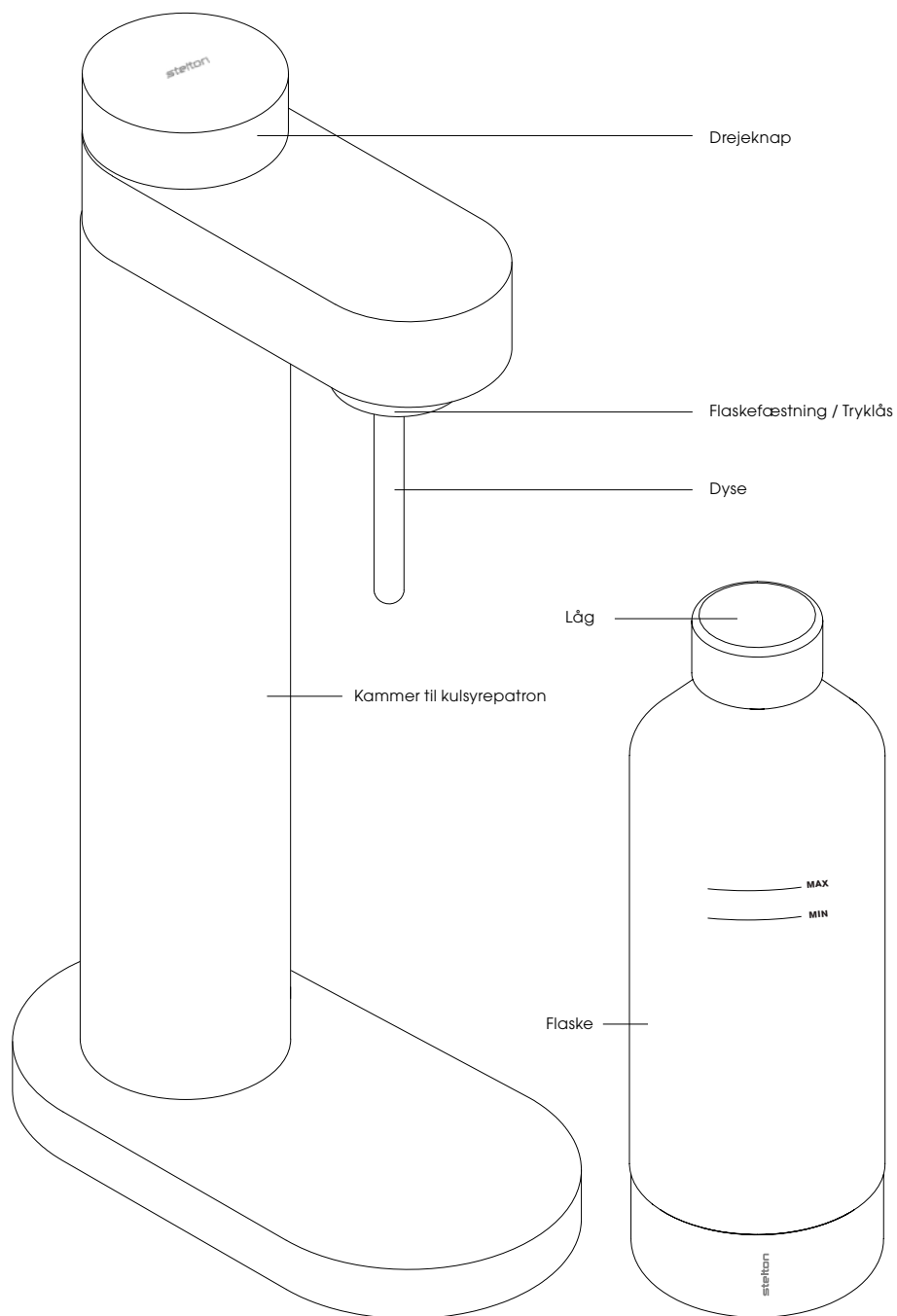
## Maintenance

### Cleaning the Brus bottle

- Clean your bottle in warm water (do not exceed 40°C) with a mild detergent and rinse well. Use a bottle brush to clean inside the bottle. Store empty bottles without their caps on to avoid moisture inside the bottle.
- Never use strong solvents or cleaning agents.
- Never wash your bottles in the dishwasher. Water temperatures above 40°C (104°F) will damage the Brus bottle.
- Always rinse your bottle with clean water before filling. If residual products from e.g. added flavourings etc. get into the system, there is a risk that the carbonator will fail and thus not be safe to use.

### Cleaning the Brus carbonator

- Clean your carbonator with a damp microfibre cloth. A mild detergent can also be used if needed.
- Never use strong solvents or cleaning agents.
- Never wash your carbonator in the dishwasher.
- Never carbonate anything other than clean drinking water.

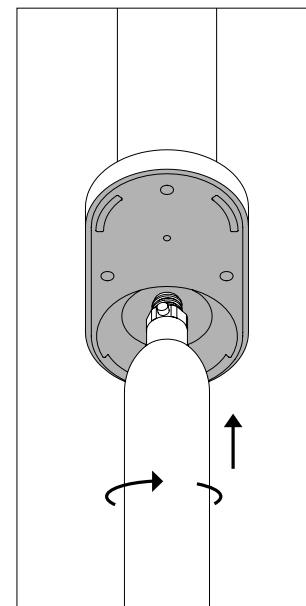


Læs brugs- og sikkerhedsinstruktionerne i denne manual, før du bruger din Brus kulsyremaskine første gang.

## Brugsvejledning

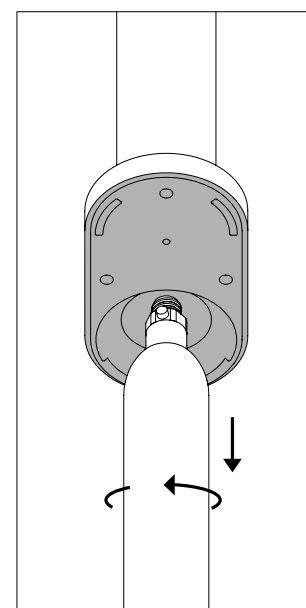
### Montering af kulsyrepatron

1. Fjern forseglingen og den beskyttende prop fra kulsyrepatronen.
2. Tag forsigtigt din kulsyremaskine op ved kulsyrepatronkammeret og vend den på hovedet, så bunden af kulsyremaskinen er synlig.
3. Indsæt forsigtigt kulsyrepatronen gennem det nederste hul. Tab ikke patronen ned i hullet, da det kan forårsage skade på indre komponenter.
4. Når kulsyrepatronen er indført i kammeret, drejes patronen med uret rundt for at fastgøre den. Gør dette forsigtigt - der skal ikke lægges kræfter i for at fæstne flasken.
5. Placer nu din kulsyremaskine tilbage på bordet, og den er klar til brug.

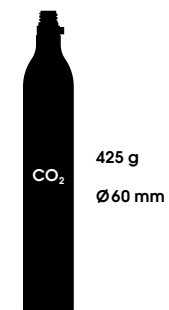


### Udskifning af kulsyrepatron

1. Tag forsigtigt din kulsyremaskine op ved kulsyrepatronkammeret og vend den på hovedet, så bunden af kulsyremaskinen er synlig.
2. Drej kulsyrepatronen mod uret for at løsne den.
3. Når den er løsnet, trækkes den tomme kulsyrepatron ud, og "Montering af kulsyrepatron" gentages for at indsætte en ny patron.



**VIGTIGT:** Kulsyrepatron købes separat. Disse kan købes i førende supermarkeder og stormagasiner.



## Mængden af kulsyre

- Hvor meget kulsyre, der skal tilsættes til vandet, er et spørgsmål om smag. Med Brus kulsyre-maskine kan du nemt justere mængden af kulsyre, som det passer dig, men vær opmærksom på at vands optagelse af kulsyre er afhængig af flere faktorer.
- Hvis vandtemperaturen er for høj, vil det gøre det sværere for kulsyren at binde sig til vandet. For bedste resultat anbefaler vi derfor, at Brus kulsyre-maskine bruges med køleskabskoldt vand (5°C / 41°F).
- Efterhånden som kulsyrepatronen begynder at blive tom, vil der gradvist blive tilført mindre CO<sub>2</sub> til vandet. Du vil derfor opleve, at kulsyreknappen skal drejes i lidt længere tid end vanligt for at opnå samme mængde af kulsyre i dit vand.
- Brug den manuelle trykløser inden du fjerner flasken. En manuel trykløsning sikrer, at unødigt kulsyre ikke forlader maskinens system, og kulsyrepatronen holder dermed længere.

## Kulsyre-niveauer

Niveau 1: Drej i 3-4 sekunder for blide bobler (anbefalet).

Niveau 2: Drej i 5-6 sekunder for moderate bobler.

Niveau 3: Drej indtil du hører en hvislen for hårde bobler.

**VIGTIGT:** Kulsyre-niveauerne er baseret på en gennemsnitlig fyldt kulsyrepatron. En helt ny patron eller en patron, der er tæt på at være tom, vil påvirke ovenstående anvisninger.

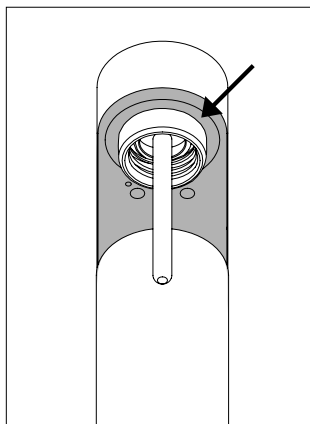
## Tilsætning af smag

Du kan tilføje smag til dit kulsyrevand med saft og sirupper. Der findes forskellige mærker af sirupper specielt udviklet til brug sammen med kulsyre-maskiner. Disse kan købes i førende supermarkeder og stormagasiner. Mængden af koncentrat afhænger af mærket, så følg altid producentens instruktioner.

Du kan tilføje smagssirup direkte i Brus-flasken eller bruge dit yndlingsglas eller -kande fra Stelton til at blande sirup og kulsyrevand.

Vask altid flasken grundigt, når der har været sukkerholdigt vand i den, så sukkeret ikke bobler op i maskinen, næste gang du bruger den.

## Overløb af vand



### Hvad sker der hvis vandet overstiger MAX-linjen?

Ved frigivelse af CO<sub>2</sub> begynder vandet i flasken at stige. Derfor er det vigtigt at efterlade tilstrækkeligt med plads i toppen af flasken, så der ikke løber vand ind i maskinen og ud af overtryksventilerne.

Fyld ikke vand over eller under MAX- eller MIN-linjen i en Brus-flaske. Overskridelse af MAX-indikatoren vil få vand til at løbe gennem overtryksventilerne, når der tilsættes kulsyre til vandet. Selvom det ikke er farligt eller skadeligt for din kulsyre-maskine, vil der lække vand gennem toppen og ind i bunden.

Hold altid vandstanden mellem MIN- og MAX-linjen.

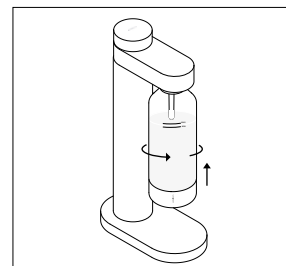


### Trin 1 - Fyld flasken med vand

Fyld flasken med koldt, rent vand helt op til påfyldningslinjen. Overskrider MAX-linjen vil der komme vand ud af overtryksventilen ved brug.

Anbefalet vandtemperatur er 5°C.

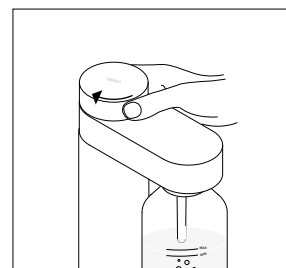
Vandtemperaturen må ikke overstige 40°C.



### Trin 2 - Fastgør den fyldte flaske

Placer flasken, så dysen er nede i vandet og drej derefter flasken mod uret for at fastgøre den.

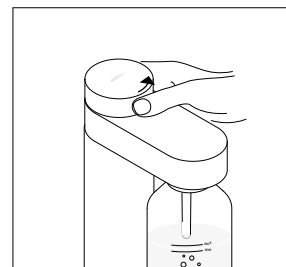
Sørg for, at flasken sidder godt fast før brug, samt at dysen er dækket af vand.



### Trin 3 - Tilsætning af kulsyre

Drej kulsyreknappen med uret i 3-4 sekunder for blide bobler. Hvis du ønsker hårde bobler, kan du holde kulsyreknappen mod venstre, indtil du hører en hvislende lyd fra overtryksventilen. Mængden af kulsyre afhænger af smag. Eksperimenter derfor med din Brus kulsyre-maskine, indtil du finder den mængde af kulsyre, der passer dig.

**ADVARSEL: Brug ALDRIG kulsyre-maskinen til andet end rent drikkevand. Sukkerholdige drikke og drikke med andre tilsætningsstoffer kan potentielt få overtryksventilen til at sætte sig fast og dermed gøre kulsyre-maskinen farlig at bruge.**

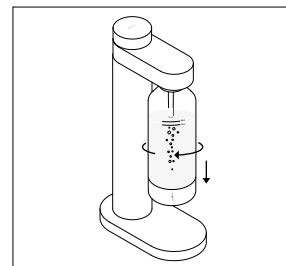


### Trin 4 - Udlign flasketryk

Drej kulsyreknappen kontra - mod uret.

Det overskydende tryk i flasken vil blive frigjort med en hvislende lyd.

**VIGTIGT:** Hvis det overskydende tryk ikke manuelt bliver frigjort, vil det blive frigjort, når du løsner flasken fra maskinen.



### Trin 5 - Frigør flasken

Drej din Brus flaske i urets retning for at frigøre den fra flaskefæstningen.

Nyd dit vand som det er eller tilsæt smag med frugt eller smagssirup.

## Garanti

Garantien for din maskine er kun gyldig, hvis den er blevet behandlet i overensstemmelse med de anbefalede vedligeholdelses- og sikkerhedsinstruktioner.

### Sikkerhedsinstruktioner til flasken

- Fyld ikke dine Brus-flasker med andet end drikkevand. Hvis der tilsættes kulsyre til andre væsker end vand, er der stor risiko for, at væsken kommer ind i maskinen, og at tilsætningsstoffer som sukker får overtryksventilerne til at sætte sig fast. Hvis overtryksventilerne stopper med at fungere, vil maskinen ikke være sikker at bruge.
- Fyld ikke Brus-flasken over MAX-linjen. Hvis du gør det, vil vand trænge ind i din maskine og sprøjte ud gennem overtryksventilerne. Dette er ikke farligt eller skadeligt for kulsyremaskinen, men både maskine og køkkenbord bliver vådt og skal tørres af efterfølgende.
- Tåler ikke opvaskemaskine. Brus-flaskerne tåler kun vandtemperaturer op til 40°C, og skal derfor vaskes af i hånden.
- Frys ikke Brus-flaskerne.
- Brug ikke Brus-flasker, der har overskredet deres brugsdato, da dette udgør en sikkerhedsrisiko. En Brus flaske skal udskiftes to år efter første brugsdato.
- Brug ikke misfarvede, deforme eller revnede vandflasker, da dette udgør en sikkerhedsrisiko.
- Skyl Brus-flasken grundigt før hver brug, for at undgå bakterier i flasken.
- Det anbefales ikke at drikke direkte fra flasken, da dette kan forurene flasken og maskinen med uønskede bakterier.
- Brug aldrig flasker af andre mærker til din Brus kulsyremaskine.

### Flaskesymboler



#### Fødevaregodkendt

Dette symbol viser, at materialet der bruges til Brus-flasken er sikkert at anvende til fødevarerkontakt.



#### Bortskaffelse

Brus-flasken er lavet af PET (1) med en stålkappe (40) i bunden. Flaskens låg er lavet af PP (5) med en silikone (7) pakning og stålkappe (40).



#### Instruktionsmanual

Læs instruktionsmanualen for korrekt brug af Brus-flasken, inklusiv relaterede sikkerhedsinstruktioner. Årstallet viser, hvornår flasken blev produceret. Alle flasker skal udskiftes 2 år efter datoen for første brug.



#### Tåler ikke opvaskemaskine

Brus-flasken må aldrig komme i opvaskemaskinen, da dette kan beskadige dens funktionalitet og dermed udgøre en sikkerhedsrisiko.



#### Temperaturinterval

Brus-flasken kan tolerere en minimumstemperatur på 1°C (34°F) og en maksimaltemperatur på 40°C (104°F). Overskridelse af dette vil beskadige flasken og dermed udgøre en sikkerhedsrisiko.

### Sikkerhedsinstruktioner til kulsyremaskinen

- Transporter ikke din Brus kulsyremaskine med kulsyrepatron fastgjort i kulsyrepatronkammeret. Sørg altid for, at patronen er blevet frigjort fra maskinen før transport for at undgå at beskadige indre komponenter.
- Opbevar din Brus kulsyremaskine utilgængeligt for børn.
- Placer ikke din Brus kulsyremaskine tæt på en varmekilde. Trykket i kulsyrepatronen afhænger af udvendige temperaturer, så hold den væk fra kogeplader, radiatorer, direkte sollys og lignende.
- Brug kun kulsyrepatroner, der er godkendt til kulsyremaskiner. Andre patroner kan beskadige maskinens funktionalitet eller udgøre en sikkerhedsrisiko.
- **VIGTIGT:** Før du tilsætter kulsyre til din Brus-flaske, skal du sikre dig, at din kulsyrepatron er korrekt fastgjort i kammeret. Den kan løsne sig med tiden, hvilket gør den mindre effektiv.
- Brug kun Brus-flasker til din Brus kulsyremaskine. Andre flasker kan beskadige maskinens funktionalitet eller udgøre en sikkerhedsrisiko.
- Drej ikke kulsyreknappen for at frigive CO<sub>2</sub> uden at fastgøre en fyldt Brus flaske.
- Sprøjt aldrig kulsyre ind i en tom vandflaske. Dette er meget farligt. Fyld altid som minimum vand til MIN-indikatoren.
- Brug altid din Brus kulsyremaskine i en opretstående stilling.
- Fyld aldrig en Brus flaske over MAX-linjen eller under MIN-linjen.
- Forsøg aldrig at bruge din Brus kulsyremaskine, når den er i stykker eller beskadiget, da dette er yderst farligt. Hvis din kulsyremaskine går i stykker eller får en funktionsfejl, må du ikke forsøge at reparere eller åbne maskinen selv. Kontakt det sted, hvor maskinen er købt for vejledning.

### Sikkerhedsinstruktioner til kulsyrepatronen

- Transporter ikke kulsyrepatronen, når den er fastgjort til din Brus kulsyremaskine. Hold patronen og din maskine adskilt under transporten.
- Placer ikke kulsyrepatronen tæt på en varmekilde. Trykket i patronen afhænger af udvendige temperaturer, så hold den væk fra kogeplader, radiator, direkte sollys og lignende.
- Kulsyrepatronen må kun bruges, når den har stuetemperatur. Efter transport og hyppig brug kan patronen blive kold og mindre effektiv. Undgå at røre ved den, hvis den er dækket af is.
- Opbevar kulsyrepatronen utilgængeligt for børn.
- Brug kun kulsyrepatroner, der er godkendt til kulsyremaskiner. Andre flasker kan beskadige maskinens funktionalitet eller udgøre en sikkerhedsrisiko.
- Der må ikke manipuleres med eller på anden måde ændres på kulsyrepatronens design eller form.
- Hvis kulsyrepatronen går i stykker eller bliver beskadiget, må den ikke bruges på din Brus kulsyremaskine. Kontakt købsstedet for udskiftning.
- **VIGTIGT:** Før du tilsætter kulsyre til din Brus flaske, skal du sikre dig, at din kulsyrepatron er korrekt fastgjort i kammeret. Den kan løsne sig med tiden, hvilket gør den mindre effektiv.

### Vedligeholdelse

#### Rengøring af Brus-flasken

- Rengør din flaske i varmt vand (må ikke overstige 40°C) med mildt rengøringsmiddel og skyl godt. Brug en flaskebørste for optimal rengøring indvendig. Opbevar tomme flasker uden låg, for at undgå fugt inden i flasken.
- Brug aldrig stærke opløsnings- og rengøringsmidler.
- Vask aldrig dine flasker i opvaskemaskinen. Brus-flasken vil blive beskadiget ved vandtemperaturer over 40°C. (104°F).
- Skyl altid din flaske med rent vand før påfyldning. Hvis der kommer restprodukter fra fx tilsat smag eller lignende i systemet, risikerer kulsyremaskinen at fejle, og den er dermed ikke sikker at bruge.

#### Rengøring af Brus kulsyremaskinen

- Rengør din kulsyremaskine med en fugtig mikrofiberklud. En mild sæbe kan også bruges, hvis det er nødvendigt.
- Brug aldrig stærke opløsnings- og rengøringsmidler.
- Vask aldrig din kulsyremaskine i opvaskemaskinen.
- Tilsæt aldrig kulsyre til andet end rent drikkevand.

### Reklamation

Reklamationsret i henhold til gældende lovgivning. Maskinafstemplet kassebon/ købskvittering med købsdato skal vedlægges i tilfælde af reklamation. Ved reklamation skal kulsyremaskinen indleveres, hvor den er købt.

#### Stelton A/S

Christianshavns Kanal 4  
1406 København K  
Danmark  
www.stelton.dk

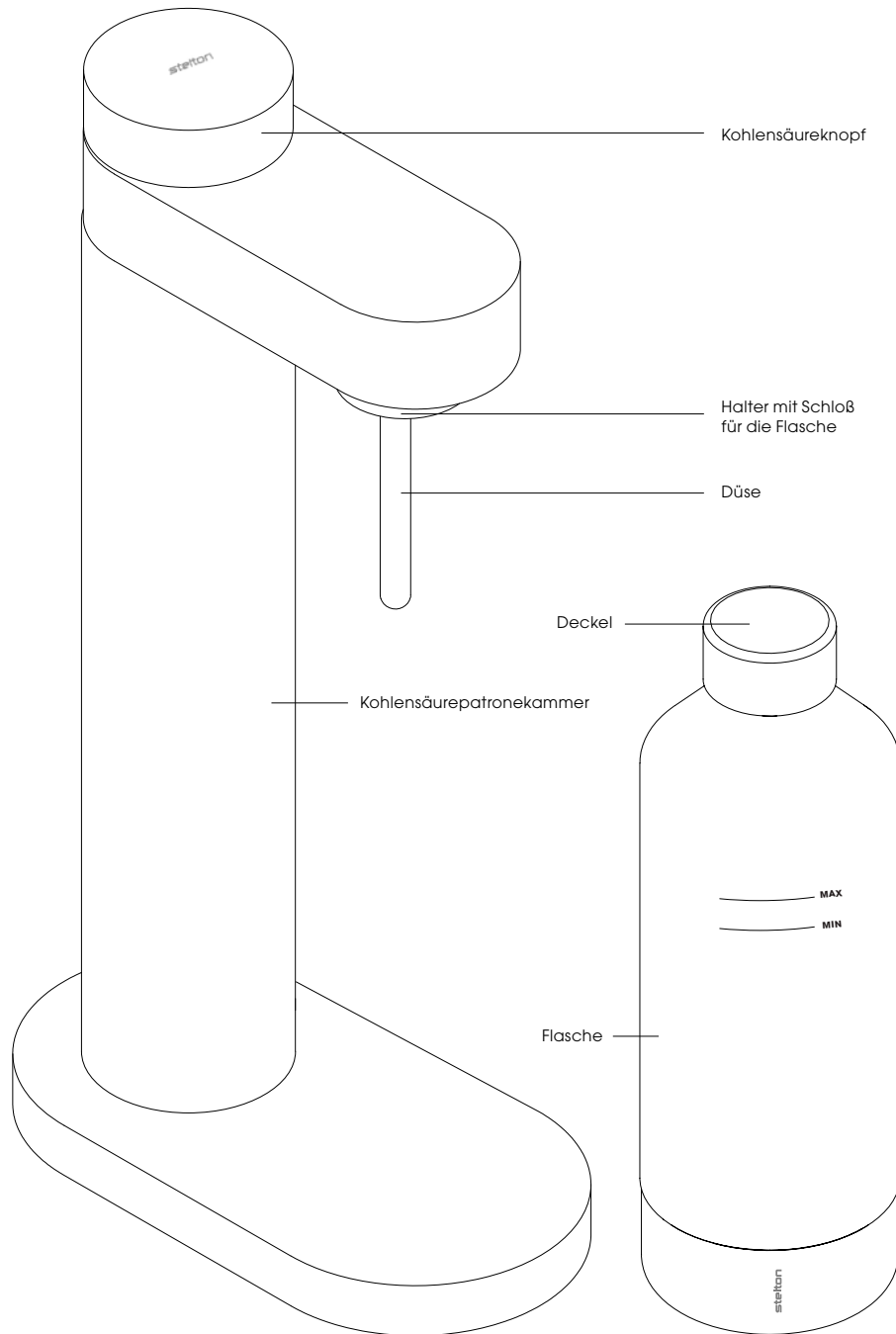
### Bortskaffelse af kulsyremaskinen

Ved bortskaffelse af Brus kulsyremaskinen eller Brus-flasker slår den gældende nationale og international lovgivning fast, at maskinen skal bortskaffes gennem et kommunalt genbrugsanlæg.

### Teknisk data

Brus kulsyremaskine  
Kulsyremaskine med flaske inkluderet  
Kulsyrepatron medfølger ikke  
Flaske volumen (MAX. indikator): 870ml.  
Betjeningstryk: 7–9 Pa  
Max. anvendt vandtemperatur: 40°C (104°F)  
Min. anvendt vandtemperatur: 1°C (34°F)

Ret til løbende ændringer og forbedringer i instruktionsvejledningen forbeholdes.

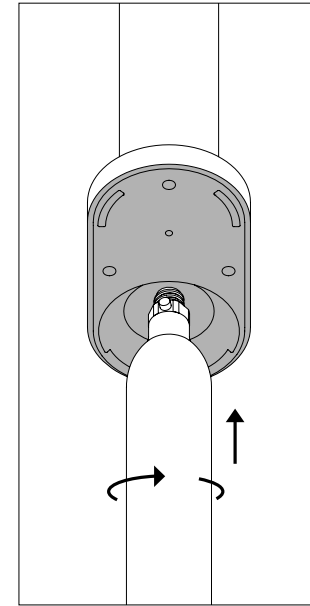


Lesen Sie vor dem ersten Gebrauch Ihres Brus Wassersprudlers die Bedienungs- und Sicherheitshinweise in dieser Anleitung.

## Gebrauchsanleitung

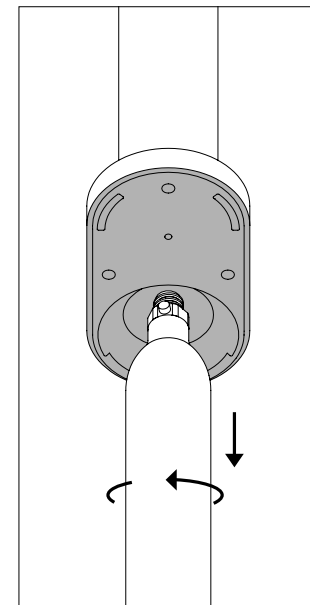
### Einsetzen der Kohlendioxidpatrone

1. Entfernen Sie die Versiegelung und den Schutzdeckel von der Kohlendioxidpatrone.
2. Heben Sie Ihren Wassersprudler vorsichtig an der Patronenkammer an und wenden Sie ihn auf den Kopf, sodass die Unterseite des Wassersprudlers zu sehen ist.
3. Setzen Sie die Kohlendioxidpatrone vorsichtig durch das untere Loch ein. Lassen Sie die Patrone nicht in das Loch fallen, da dies zu Schäden an inneren Komponenten führen kann.
4. Sobald die Kohlendioxidpatrone in der Kammer eingesetzt ist, muss die Patrone im Uhrzeigersinn gedreht werden, um sie zu fixieren. Gehen Sie dabei vorsichtig vor – es sollte keine Gewalt angewendet werden, wenn die Flasche festgedreht wird.
5. Stellen Sie Ihren Wassersprudler wieder auf den Tisch und schon ist dieser einsatzbereit.

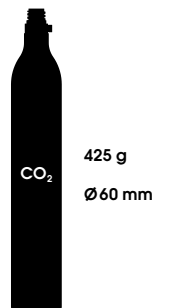


### Austausch der Kohlendioxidpatrone

1. Heben Sie Ihren Wassersprudler vorsichtig an der Patronenkammer an und wenden Sie ihn auf den Kopf, sodass die Unterseite des Wassersprudlers zu sehen ist.
2. Drehen Sie die Kohlendioxidpatrone gegen den Uhrzeigersinn, um sie zu lösen.
3. Ziehen Sie nach dem Lösen die leere Kohlendioxidpatrone heraus und wiederholen Sie den Punkt „Einsetzen der Kohlendioxidpatrone“, um eine neue Patrone einzusetzen.



**WICHTIG:** Die Kohlendioxidpatrone muss separat gekauft werden. Diese sind in führenden Supermärkten und Kaufhäusern erhältlich.





## Die Menge an Kohlensäure

- Wie viel Kohlensäure man dem Wasser hinzufügt, ist Geschmackssache. Mit dem Brus Wassersprudler können Sie die Kohlensäuremenge ganz einfach nach Ihren Wünschen einstellen, aber beachten Sie, dass die Kohlensäureaufnahme des Wassers von mehreren Faktoren abhängt.
- Eine zu hohe Wassertemperatur erschwert die Bindung von Kohlensäure an das Wasser. Für optimale Ergebnisse empfehlen wir daher, den Brus Wassersprudler mit kühl-schrankkaltem Wasser (5°C / 41°F) zu verwenden.
- Wenn sich die Patrone zu leeren beginnt, wird dem Wasser allmählich weniger CO<sub>2</sub> hinzugefügt. Sie werden daher feststellen, dass der Kohlensäureknopf etwas länger als gewöhnlich gedreht werden muss, um die gleiche Menge an Kohlensäure in Ihrem Wasser zu erhalten.
- Verwenden Sie die manuelle Druckablassvorrichtung, bevor Sie die Flasche entfernen. Ein manueller Druckablass sorgt dafür, dass keine unnötige Menge Kohlensäure das System des Geräts verlässt und die Kohlensäurepatrone somit länger hält.

## Kohlensäuregehalt

Stufe 1: Drehen Sie für 3 bis 4 Sekunden, um eine leichte Sprudelstärke zu erzeugen (empfohlen).

Stufe 2: Drehen Sie für 5 bis 6 Sekunden, um eine mittlere Sprudelstärke zu erhalten.

Stufe 3: Drehen Sie, bis Sie ein Zischen hören, um eine starke Sprudelstärke zu erhalten.

**WICHTIG:** Die Angaben der Kohlensäurestufen basieren auf einer durchschnittlich gefüllten Kohlensäurepatrone. Wenn eine Patrone ganz neu oder fast leer ist, hat dies einen Einfluss auf die oben stehenden Angaben.

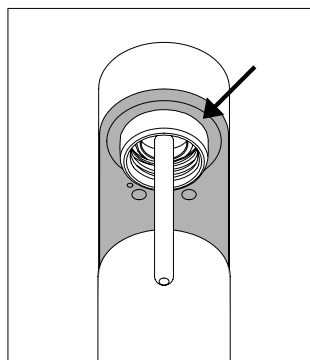
## Geschmack hinzufügen

Sie können Ihrem Sprudelwasser mithilfe von Saft und Konzentraten Geschmack hinzufügen. Es gibt verschiedene Marken von Konzentraten, die speziell für die Verwendung mit Wassersprudlern entwickelt wurden. Diese sind in führenden Supermärkten und Kaufhäusern erhältlich. Die Menge des Konzentrats hängt von der Marke ab, befolgen Sie daher immer die Anweisungen des Herstellers.

Sie können Konzentrate direkt in die Brus-Flasche geben oder Ihr Lieblingsglas oder Ihre Lieblingskanne von Stelton verwenden, um darin die Konzentrate und das kohlenstoffhaltige Wasser zu mischen.

Waschen Sie die Flasche immer gründlich aus, nachdem Sie sie mit zuckerhaltigem Wasser gefüllt haben, damit der Zucker bei der nächsten Benutzung nicht in der Maschine nach oben sprudelt.

## Überlaufen des Wassers



### Was passiert, wenn das Wasser die MAX-Linie überschreitet?

Wenn CO<sub>2</sub> freigesetzt wird, beginnt das Wasser in der Flasche zu steigen. Daher ist es wichtig, oben in der Flasche genügend Platz zu lassen, damit kein Wasser in die Maschine und aus den Druckentlastungsventilen gelangt.

Füllen Sie das Wasser nicht höher bzw. tiefer als die MAX- und die MIN-Linie in der Brus-Flasche. Bei Überschreiten der MAX-Markierung fließt Wasser durch die Überdruckventile, wenn dem Wasser Kohlensäure zugesetzt wird. Obwohl dies nicht gefährlich oder schädlich für Ihren Wassersprudler ist, wird das Wasser oben auslaufen und nach unten fließen.

Halten Sie den Wasserstand deshalb immer zwischen der MIN- und der MAX-Linie.

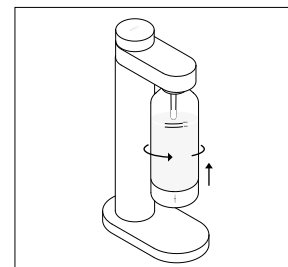


### Schritt 1 – Die Flasche mit Wasser füllen

Füllen Sie die Flasche bis zur Fülllinie mit kaltem, sauberem Wasser. Wenn die MAX-Linie überschritten wird, tritt während des Gebrauchs Wasser aus dem Überdruckventil aus.

Die empfohlene Wassertemperatur beträgt 5°C.

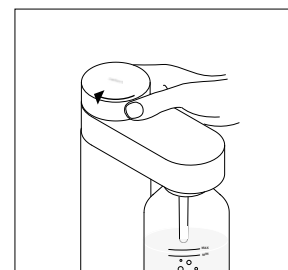
Die Wassertemperatur darf 40°C nicht übersteigen.



### Schritt 2 – Die gefüllte Flasche anbringen

Setzen Sie die Flasche so ein, dass die Düse in das Wasser hineinragt, und drehen Sie die Flasche gegen den Uhrzeigersinn, um sie zu sichern.

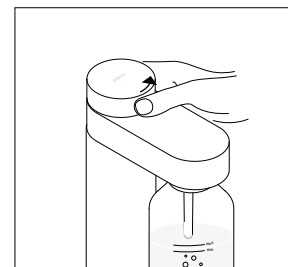
Stellen Sie vor Gebrauch sicher, dass die Flasche korrekt sitzt und die Düse mit Wasser bedeckt ist.



### Schritt 3 – Zugabe von Kohlensäure

Drehen Sie den Kohlensäureknopf 3 bis 4 Sekunden lang im Uhrzeigersinn, um eine leichte Sprudelstärke zu erhalten. Wenn Sie eine starke Sprudelstärke wünschen, können Sie den Kohlensäureknopf nach links gedreht halten, bis Sie ein zischendes Geräusch aus dem Überdruckventil hören. Die gewünschte Kohlensäuremenge ist Geschmackssache. Experimentieren Sie daher mit Ihrem Brus-Wassersprudler, bis Sie die für Sie passende Kohlensäuremenge gefunden haben.

**WARNHINWEIS:** Verwenden Sie den Wassersprudler NIEMALS für etwas anderes als für sauberes Trinkwasser. Zuckerhaltige Getränke und Getränke mit anderen Zusätzen können dazu führen, dass das Überdruckventil verklebt, was die Verwendung des Wassersprudlers gefährlich machen kann.

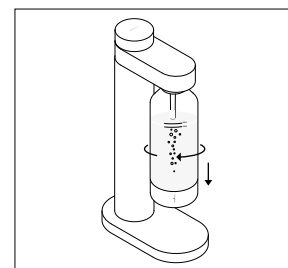


### Schritt 4 – Flaschendruck ausgleichen

Drehen Sie den Kohlensäureknopf gegen den Uhrzeigersinn.

Der überschüssige Druck in der Flasche wird mit einem zischenden Geräusch abgelassen.

**WICHTIG:** Wird der überschüssige Druck nicht manuell abgelassen, wird dieser dann abgelassen, wenn Sie die Flasche von der Maschine trennen.



### Schritt 5 – Lösen der Flasche

Drehen Sie Ihre Brus-Flasche im Uhrzeigersinn, um sie aus der Haltevorrichtung zu lösen.

Genießen Sie Ihr Wasser so wie es ist oder setzen Sie mit Fruchtsäften oder Konzentraten Geschmack hinzu.

## Garantie

Die Garantie für Ihre Maschine gilt nur, wenn die empfohlenen Pflege- und Sicherheitshinweise eingehalten wurden.

### Sicherheitshinweise für die Flasche

- Füllen Sie Ihre Brus-Flaschen ausschließlich mit Trinkwasser. Wenn Kohlensäure anderen Flüssigkeiten als Wasser zugesetzt wird, besteht ein hohes Risiko, dass die Flüssigkeit in die Maschine eindringt und Zusätze wie Zucker zum Verkleben der Überdruckventile führen. Wenn die Überdruckventile nicht mehr funktionieren, ist die Nutzung der Maschine nicht mehr sicher.
- Füllen Sie die Brus-Flasche nicht bis über die MAX-Linie. Falls Sie dies tun, wird Wasser in die Maschine eindringen und durch die Überdruckventile austreten. Dies ist weder gefährlich noch schädlich für den Wassersprudler, aber sowohl die Maschine als auch der Küchentisch werden nass und müssen anschließend abgewischt werden.
- Nicht spülmaschinenfest. Die Brus-Flaschen halten nur Wassertemperaturen bis 40°C stand und müssen daher von Hand gewaschen werden.
- Frieren Sie die Brus-Flaschen nicht ein.
- Verwenden Sie keine Brus-Flaschen mit abgelaufenem Nutzungsdatum, da diese ein Sicherheitsrisiko darstellen können. Eine Brus-Flasche muss zwei Jahre nach dem ersten Verwendungsdatum ersetzt werden.
- Verwenden Sie keine verfärbten, verformten oder gesprungenen Wasserflaschen, da diese ein Sicherheitsrisiko darstellen können.
- Spülen Sie die Brus-Flasche vor jedem Gebrauch gründlich aus, um Bakterien in der Flasche zu vermeiden.
- Es wird nicht empfohlen, direkt aus der Flasche zu trinken, da dies die Flasche und die Maschine mit unerwünschten Bakterien verunreinigen kann.
- Verwenden Sie niemals Flaschen anderer Marken für Ihren Brus Wassersprudler.

### Flaschensymbole



#### Für Lebensmittel zugelassen

Dieses Symbol kennzeichnet, dass das für die Brus-Flasche verwendete Material für den Kontakt mit Lebensmitteln unbedenklich ist.



#### Entsorgung

Die Brus-Flasche besteht aus PET (1) mit einer Kappe aus Stahl (40) am Boden. Der Flaschendeckel besteht aus PP (5) mit einer Dichtung aus Silikon (7) und einer Kappe aus Stahl (40).



#### Bedienungsanleitung

Lesen Sie die Bedienungsanleitung für die ordnungsgemäße Verwendung der Brus-Flasche, einschließlich der zugehörigen Sicherheitshinweise. Die Jahreszahl zeigt, wann die Flasche hergestellt worden ist. Alle Flaschen müssen 2 Jahre nach dem Zeitpunkt der ersten Verwendung ersetzt werden.



#### Nicht spülmaschinenfest

Geben Sie die Brus-Flasche niemals in die Spülmaschine, da dies ihre Funktionalität beeinträchtigen und somit ein Sicherheitsrisiko darstellen kann.



#### Temperaturbereich

Die Brus-Flasche hält einer Mindesttemperatur von 1°C (34°F) und einer Höchsttemperatur von 40°C (104°F) stand. Eine Überschreitung führt zur Beschädigung der Flasche und birgt folglich ein Sicherheitsrisiko.

### Sicherheitshinweise für den Wassersprudler

- Transportieren Sie Ihren Brus Wassersprudler niemals mit angebrachter Kohlensäurepatrone in der Kohlensäurepatronekammer. Stellen Sie stets sicher, dass die Patrone vor dem Transport aus der Maschine gelöst wurde, um eine Beschädigung innerer Komponenten zu vermeiden.
- Bewahren Sie Ihren Brus-Wassersprudler außerhalb der Reichweite von Kindern auf.
- Platzieren Sie Ihren Brus-Wassersprudler nicht in der Nähe einer Wärmequelle. Der Druck in der Kohlensäurepatrone hängt von der Außentemperatur ab, halten Sie sie daher von Herdplatten, Heizkörpern, direkter Sonneneinstrahlung und dergleichen fern.
- Verwenden Sie ausschließlich Kohlensäurepatronen, die für den Wassersprudler zugelassen sind. Andere Patronen können die Funktionalität des Geräts beeinträchtigen oder ein Sicherheitsrisiko darstellen.
- **WICHTIG:** Bevor Sie Ihrer Brus-Flasche Kohlensäure hinzufügen, vergewissern Sie sich, dass Ihre Kohlensäurepatrone korrekt in die Kammer eingesetzt ist.
- Sie kann sich im Laufe der Zeit lockern, wodurch sie an Effektivität verliert.
- Verwenden Sie ausschließlich Brus-Flaschen, die für Ihren Brus Wassersprudler konzipiert sind. Andere Flaschen können die Funktion der Maschine beeinträchtigen oder ein Sicherheitsrisiko darstellen.
- Drehen Sie nicht den Kohlensäureknopf zum Freisetzen von CO<sub>2</sub>, ohne dass eine gefüllte Brus-Flasche eingesetzt ist.
- Sprudeln Sie niemals Kohlensäure in eine leere Wasserflasche. Dies ist sehr gefährlich. Füllen Sie das Wasser immer mindestens bis zur MIN-Markierung.
- Verwenden Sie Ihren Brus-Wassersprudler immer in aufrechter Position.
- Füllen Sie die Brus-Flasche niemals über die MAX-Linie oder unter die MIN-Linie.

- Versuchen Sie niemals, Ihren Brus Wassersprudler zu verwenden, wenn dieser kaputt oder beschädigt ist, da dies äußerst gefährlich sein kann. Wenn Ihr Wassersprudler kaputtgeht oder nicht korrekt funktioniert, versuchen Sie nicht, das Gerät selbst zu reparieren oder zu öffnen. Wenden Sie sich an die Verkaufsstelle der Maschine, um weitere Informationen zu erhalten.

### Sicherheitshinweise für die Kohlensäurepatrone

- Transportieren Sie die Kohlensäurepatrone nicht, wenn diese in Ihrem Brus Wassersprudler eingesetzt ist. Halten Sie die Patrone und Ihr Gerät während des Transports getrennt.
- Platzieren Sie die Kohlensäurepatrone nicht in der Nähe von Wärmequellen. Der Druck in der Patrone hängt von der Außentemperatur ab, halten Sie sie daher von Herdplatten, Heizkörpern, direkter Sonneneinstrahlung und dergleichen fern.
- Die Kohlensäurepatrone darf nur dann verwendet werden, wenn sie Raumtemperatur hat. Durch den Transport und den häufigen Gebrauch kann die Patrone kalt werden und an Wirksamkeit verlieren. Vermeiden Sie es, sie zu berühren, wenn sie mit Eis bedeckt ist.
- Bewahren Sie die Kohlensäurepatrone außerhalb der Reichweite von Kindern auf.
- Verwenden Sie ausschließlich Kohlensäurepatronen, die für den Wassersprudler zugelassen sind. Andere Flaschen können die Funktion der Maschine beeinträchtigen oder ein Sicherheitsrisiko darstellen.
- Das Design oder die Form der Kohlensäurepatrone darf nicht manipuliert oder anderweitig verändert werden.
- Wenn die Kohlensäurepatrone kaputtgeht oder beschädigt ist, darf sie nicht mit Ihrem Brus Wassersprudler verwendet werden. Wenden Sie sich für einen Ersatz an die Verkaufsstelle.
- **WICHTIG:** Bevor Sie Ihrer Brus-Flasche Kohlensäure hinzufügen, vergewissern Sie sich, dass Ihre Kohlensäurepatrone korrekt in die Kammer eingesetzt ist. Sie kann sich im Laufe der Zeit lockern, wodurch sie an Effektivität verliert.

### Pflege

#### Reinigung der Brus-Flasche

- Reinigen Sie Ihre Flasche in warmem Wasser (nicht über 40°C) mit einem milden Spülmittel und spülen Sie sie gründlich aus. Verwenden Sie zur optimalen Innenreinigung eine Flaschenbürste. Bewahren Sie leere Flaschen ohne Verschluss auf, um Feuchtigkeit in der Flasche zu vermeiden.
- Verwenden Sie niemals starke Lösungs- und Reinigungsmittel.

- Reinigen Sie Ihre Flaschen niemals in der Spülmaschine. Bei Wassertemperaturen über 40°C (104°F) nimmt die Brus-Flasche Schaden.
- Spülen Sie Ihre Flasche vor dem Befüllen immer mit sauberem Wasser aus. Wenn Rückstände von z. B. zugesetzten Aromen oder dergleichen in das System gelangen, kann der Wassersprudler beschädigt werden, sodass er nicht mehr sicher verwendet werden kann.

#### Reinigung des Brus Wassersprudlers

- Reinigen Sie Ihren Wassersprudler mit einem feuchten Mikrofaserluch. Bei Bedarf kann auch eine milde Seife verwendet werden.
- Verwenden Sie niemals starke Lösungs- und Reinigungsmittel.
- Reinigen Sie Ihren Wassersprudler niemals in der Spülmaschine.
- Fügen Sie die Kohlensäure ausschließlich sauberem Trinkwasser hinzu und niemals etwas anderem.

### Reklamation

Reklamationsrecht nach geltendem Recht. Bei einer Reklamation muss der Kassenbono/Kaufbeleg mit Stempel und Kaufdatum beigelegt werden. Im Falle einer Reklamation muss der Wassersprudler an die Verkaufsstelle zurückgegeben werden, bei der er gekauft wurde.

#### Stelton A/S

Christianshavns Kanal 4  
1406 Kopenhagen K  
Dänemark  
www.stelton.dk

### Entsorgung des Wassersprudlers

Bei der Entsorgung eines Brus-Wassersprudlers oder von Brus-Flaschen muss das Gerät gemäß den geltenden nationalen und internationalen Bestimmungen bei einer örtlichen Recyclingstelle entsorgt werden.

### Technische Daten

Brus Wassersprudler  
Wassersprudler inklusive Flasche  
Kohlensäurepatrone nicht enthalten  
Flaschenvolumen (MAX-Markierung): 870 ml  
Betriebsdruck: 7–9 Pa  
Max. verwendete Wassertemperatur: 40°C (104°F)  
Mind. verwendete Wassertemperatur: 1°C (34°F)

Wir behalten uns das Recht vor, jederzeit Änderungen und Verbesserungen an der Bedienungsanleitung vorzunehmen.

**Stelton A/S**

Christianshavns kanal 4

DK 1406 Copenhagen

Phone: +45 3962 3055

[www.stelton.com](http://www.stelton.com)